



SW 4070, SW 4070-MAN RF-SWITCH SOLUTION FOR NSG 4070 MANUAL RF-SWITCH UP TO 2 GHz



SW 4070 front view

- Two relays SPDT
- Direct control via NSG 4070 user port
- Low insertion loss
- High power handling



SW 4070 back view

The advanced use of the NSG 4070 may require the operation with two power amplifiers. The SW 4070 allows to switch the signal paths for having a remote controlled system and is fully powered and controlled by the NSG 4070. Interlock connections provide to switch off the amplifier gain. Additionally the SW 4070 is supplied with a second user port socket for connecting e.g. the MD 4070 or using the EUT monitoring functions of the NSG 4070's user port.

Technical specifications

Power supply:	12 V DC, 170 mA
Connector type:	Sub-D, 15 pins (for NSG 4070 user port)
Response time:	typical 20 ms
RF characteristics	
Relay type:	2x SPDT
Power up to 50 MHz:	>1500 W
Power up to 150 MHz:	>1300 W
Power up to 500 MHz:	>800 W
Power up to 1 GHz:	>500 W
Power up to 1.5 GHz:	>350 W
Power up to 2 GHz:	>100 W
VSWR at 50 MHz:	typ. <1.03
VSWR at 150 MHz:	typ. <1.1
VSWR at 500 MHz:	typ. <1.15
VSWR at 1 GHz:	typ. <1.2
VSWR at 1.5 GHz:	typ. <1.2
VSWR at 2 GHz:	typ. <1.25
Insertion loss at 50 MHz:	typ. <0.07 dB
Insertion loss at 150 MHz:	typ. <0.1 dB
Insertion loss at 500 MHz:	typ. <0.15 dB
Insertion loss at 1 GHz:	typ. <0.2 dB
Insertion loss at 1.5 GHz:	typ. <0.2 dB
Insertion loss at 2 GHz:	typ. <0.23 dB
Interlock	
Connector type:	BNC female
Indicator:	2x LED

Mechanical specifications

Size (W x H x D in mm):	125 x 82 x 155
Weight:	approx. 1 kg
Size of the 19" rack mounting plate:	132.5 mm x 482.6 mm



Advanced Test Solutions for EMC



SW 4070, SW 4070-MAN

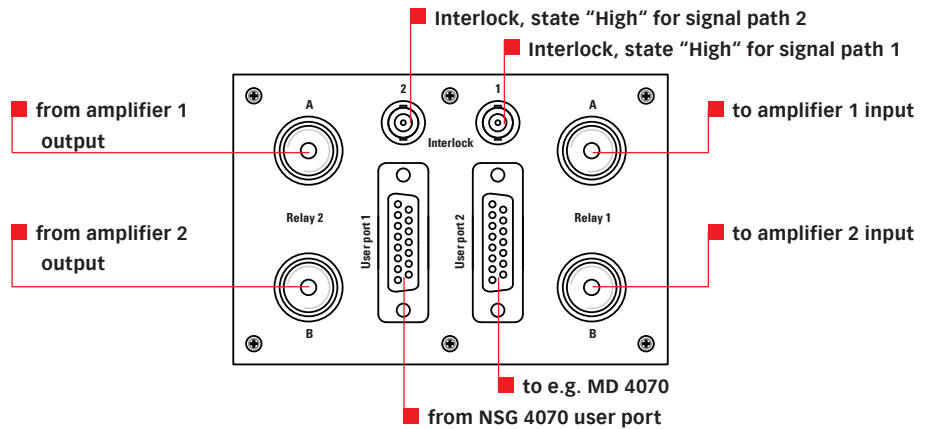
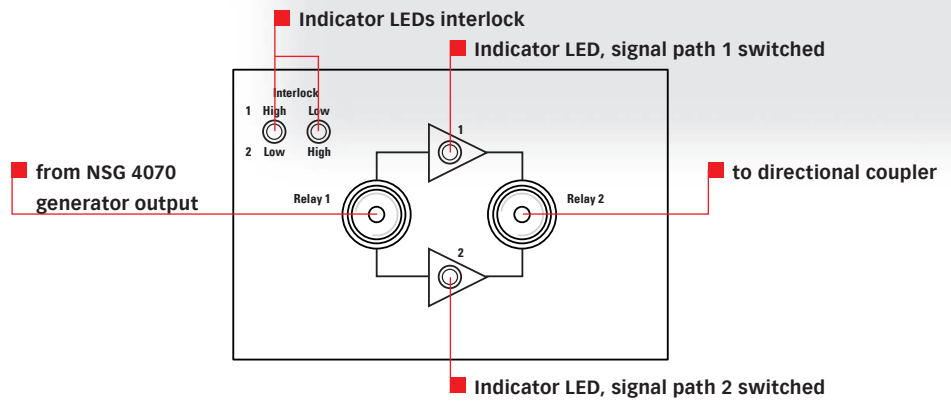
RF-SWITCH SOLUTION FOR NSG 4070

MANUAL RF-SWITCH UP TO 2 GHz

Logic

Input	L	H
Switch 1		
Switch 2		
Interlock 1	float	gnd
Interlock 2	gnd	float
LED 1	on	off
LED 2	off	on

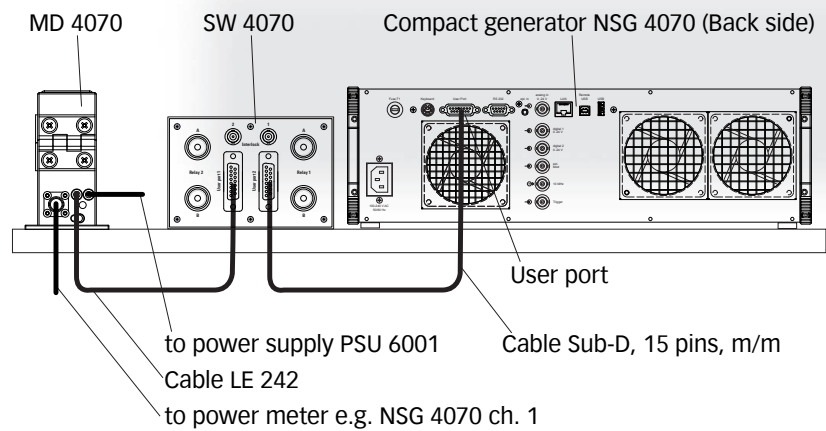
Connections and functions



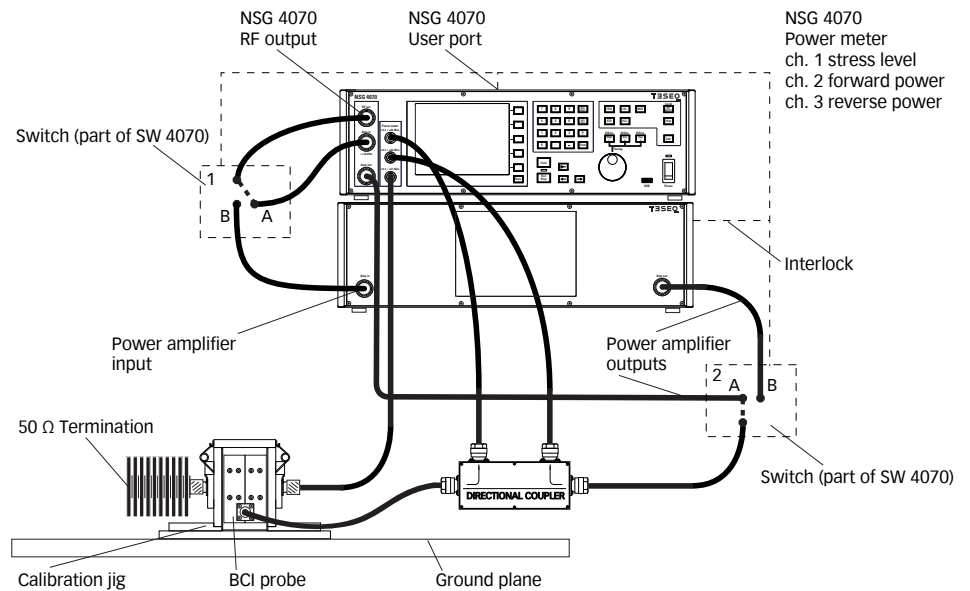


SW 4070, SW 4070-MAN RF-SWITCH SOLUTION FOR NSG 4070 MANUAL RF-SWITCH UP TO 2 GHz

Control connection of SW 4070 in conjunction with NSG 4070 and optional MD 4070



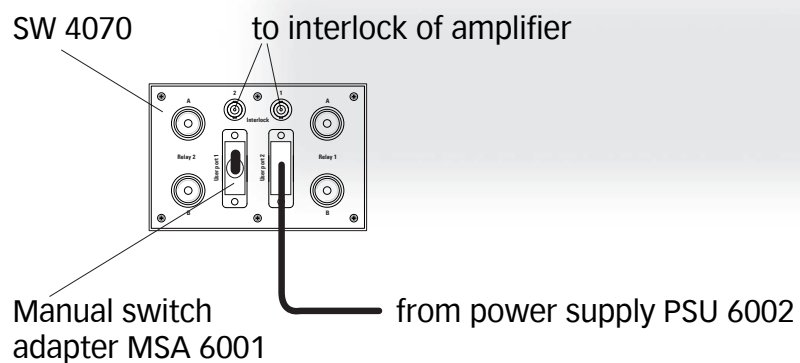
Setup example of NSG 4070 (internal amplifier) and external amplifier for BCI application





SW 4070, SW 4070-MAN RF-SWITCH SOLUTION FOR NSG 4070 MANUAL RF-SWITCH UP TO 2 GHz

Control and power supply connection of SW 4070-MAN



Delivery items	SW 4070	SW 4070-MAN
SW 4070 unit	■	■
Cable Sub-D, 15 pins, male/male, 2 m	■	-
19" rack mounting plate	-	■
Power supply PSU 6002	-	■
Manual switch adapter MSA 6001	-	■

Model No. and options

Part number	Description
253850	SW 4070 Option for NSG 4070: RF-Switch network 2x SPDT
253891	SW 4070-MAN RF-Switch network 2x SPDT for max. 2 GHz with power supply unit with Euro, UK, US, JP, AUS country version and manual control