



A 1000

Broadband Power Amplifier



HIGH RF VOLTAGES MAY BE PRESENT AT THE OUTPUT OF THIS UNIT. All operating personnel should use extreme caution in handling these voltages and be thoroughly familiar with this manual.

Do not attempt to operate this unit prior to reading this manual. Specifically Chapter 5; SAFETY.

The material contained in this document is the property of Electronics & Innovation Ltd., it is subject to change without notice.

Warranty

Electronics & Innovation Ltd., (hereafter E&I) warrants for the period of one year from the date of original delivery, each unit to be free of defects in materials and workmanship. For the period of 12 months E&I will, at its option, repair or replace defective parts so as to render the unit fully operational such that it performs according to the original specifications; free of charge to the original purchaser.

Should warranty service be required, the unit must be returned to E&I, freight cost to be borne by the owner. If, in our opinion, the unit has been damaged by use outside the limits prescribed in this manual or by accident, then the warranty shall not be honored. In such a case E&I will provide an estimate for repair, assuming repair is possible and provide a quote at standard service rates.

Contents

Chapter 1	
General Information.....	3
Chapter 2	
Operation.....	4
Chapter 3	
Technical Information.....	7
Chapter 4	
Maintenance.....	8
Chapter 5	
Safety.....	12

The material contained in this document is the property of Electronics & Innovation Ltd., it is subject to change without notice.

Chapter 1 Introduction

The A 1000 is a broadband solid state amplifier covering the frequency spectrum from 300 KHz to 35 MHz. It is rated at 1000 watts of RF power with low harmonic and intermodulation distortion. Over 1500 watts of saturated power can be produced with increased distortion products. A linear Class A design, the A1000 will amplify inputs of AM, FM, SSB, pulse and any complex modulation signals. The amplifier has 60 dB gain, it is unconditionally stable and will not oscillate even with combinations of mismatched source and load impedance. It is protected against failure due to output load mismatch and/or overdrive.

RMS forward and reverse powers are monitored by a front panel meter. An integral power supply permits operation from 208 V three phase AC power/ max 30 Amps.

1.2 INSTRUMENTATION IDENTIFICATION

Each amplifier is identified by a serial number tag on the back panel of the unit. Both the model number and the serial number should be quoted to identify specific unit.

1.3 SPECIFICATIONS

Physical and electrical specifications are listed in Table 1-1 below

The material contained in this document is the property of Electronics & Innovation Ltd., it is subject to change without notice.

Table 1-1. SPECIFICATIONS

FREQUENCY COVERAGE:	300 kHz to 35 MHz.
GAIN:	60 dB min, ± 1.5 variation.
CLASS A LINEAR OUTPUT:	Nominal 1000 watts.
SATURATED RF POWER OUTPUT:	1500 Watts min
INPUT IMPEDANCE	50 ohms, VSWR, 1.5:1 Maximum.
OUTPUT IMPEDANCE:	50 ohms, VSWR, 2.5:1 Maximum
STABILITY:	Continuous operation into any load or source impedance.
PROTECTION:	Unit will withstand a + 13 dBm input signal (1.0 Volts RMS) for all output load conditions, without damage.
POWER OUTPUT METER:	True RMS power detection. $\pm 5\%$ of full scale accuracy.
POWER REQUIREMENTS:	3 ϕ 208 VAC 47-63 Hz. 30 Amps
SIZE:	30 X 24 X 62 inches L x W X H 762 X 210 x 1575 mm. L x W x H
WEIGHT:	610 pounds 277 kg
CONNECTORS:	N
OPERATING TEMPERATURE:	0 – 30 C
RACK MOUNTING:	

Chapter 2 Operation

2.1 INTRODUCTION

The A1000 RF amplifier is used to amplify the RF level of signal sources in the 300 KHz to 35 MHz range. No tuning or any other form of adjustment is required.

The A1000 produces rated power output at its output connector, regardless of load impedance. Any power reflected due to output load mismatch is absorbed in the amplifier. Therefore, although the output impedance is 50 ohms (maximum VSWR: 2.5:1), the amplifier will work into any load impedance.

The material contained in this document is the property of Electronics & Innovation Ltd., it is subject to change without notice.

2.2 RACK INSTALLATION

This unit is 35.5 U high, 24" width, 30" Length.

2.2.1 Mains Voltage

The unit runs of 208 3 phase VAC 47 – 63 Hz. 30 Amps max

2.3 OPERATION

A fixed line cord is supplied to form a connection between the mains supply and the rear of the unit. The plug is L14-30P 3 pole / 4 wire.

2.3.1 Proceed as follows:

- (i) Ensure that there is at least 24" or 60 cm clearance at the rear of the unit for air flow.
- (ii) Ensure RF input voltage is not excessive
 - a. The 1 V rms indicated maximum input voltage is 5 times the level of the input signal required to achieve maximum output. Input voltages in excess of 2 volts peak may permanently damage the instrument.
 - b. The unit should not be driven at an input of over 1 dBm for a period of greater than one minute
- (iii) Connect the output via a 50 ohm coaxial lead and N plug to the load.
- (iv) Connect the input signal via a 50 ohm coaxial lead and N plug to the input connector.

2.3.2 Front Panel Display

The A1000 front panel has a passive LCD display designed for simplicity and ease of use. During initialization, the LCD shows the software revision. After the amplifier is initialized, the LCD indicates Forward Power, Reflected Power, and amplifier status (see figure 2.1).

Pf: ___ W Pr: ___ W

Status: _____

Figure 2.1 : Front Panel Display

Where Pf refers to forward power, Pr refers to reverse power, and Status indicates "OK" unless there is a fault condition, such as:

- Overheat (heat-sink temperature is too high for reliable operation)

The material contained in this document is the property of Electronics & Innovation Ltd., it is subject to change without notice.

- PSU fault (internal fault in the main switching power supply)

In the event of a fault, the unit may be reset by cycling the power. In the case over an over temp fault, ensure that the air inlet and out let are not restricted. If the fault persists, please contact Field Service.

2.3.3 RS 232 Interface

The A500 features a standard RS-232 serial interface suitable for connection to a PC or host system. The communication protocol is extremely simple to facilitate readback and control with readily available terminal programs such as Hyperterm. The RS-232 link has the following parameters:

Baud rate: 19200

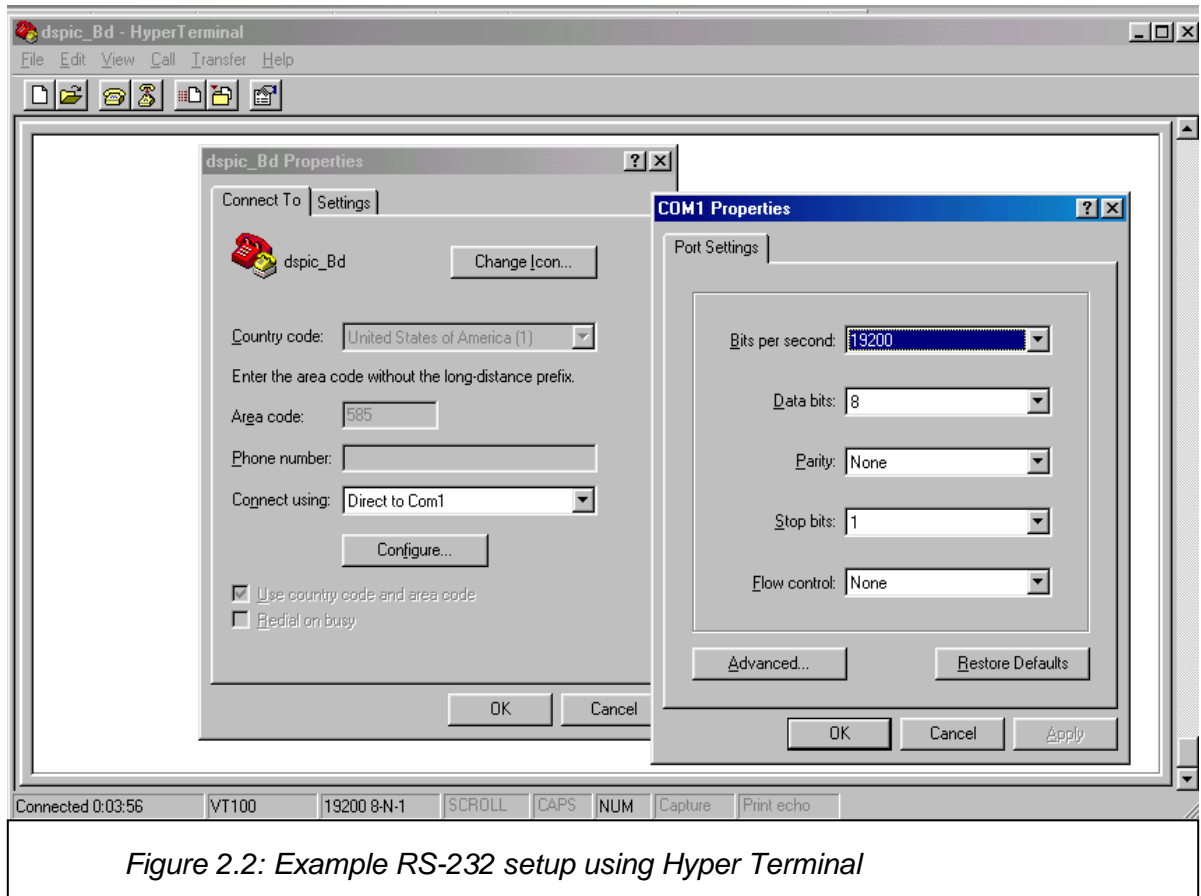
Data bits: 8

Parity: none

Stop bits: 1

Flow control: none

An example configuration using HyperTerminal on a PC is shown in figure 2.2.



The material contained in this document is the property of Electronics & Innovation Ltd., it is subject to change without notice.

In the default state, the RS-232 port will echo the same information sent to the front panel LCD display, allowing a running datalog to be stored to disk using the capture feature of the terminal program.

Single character commands can be sent to the amplifier to achieve the following:

"1" key enables telemetry (readback similar to LCD display) - this is the default mode at power up

"2" key clears any faults and tries to start the supply.

"0" key disables telemetry (Complement to "1" key)

Chapter 3 Technical Description

3.1 GENERAL DESCRIPTION

The A1000 is designed to amplify signals by 60 dB in the frequency band of 300 KHz to 35 MHz. The signal from the rear panel N connector is fed via a length of 50 ohm coaxial cable into the input of the pre-amp, the first stage is the MMIC front end. The output signal of the MMIC is coupled to the gate of transistor Q1. The further amplified signal appearing at the drain of Q1 is coupled to the input of Q2. This is transformed to 50 Ω and fed to the driver output BNC port.

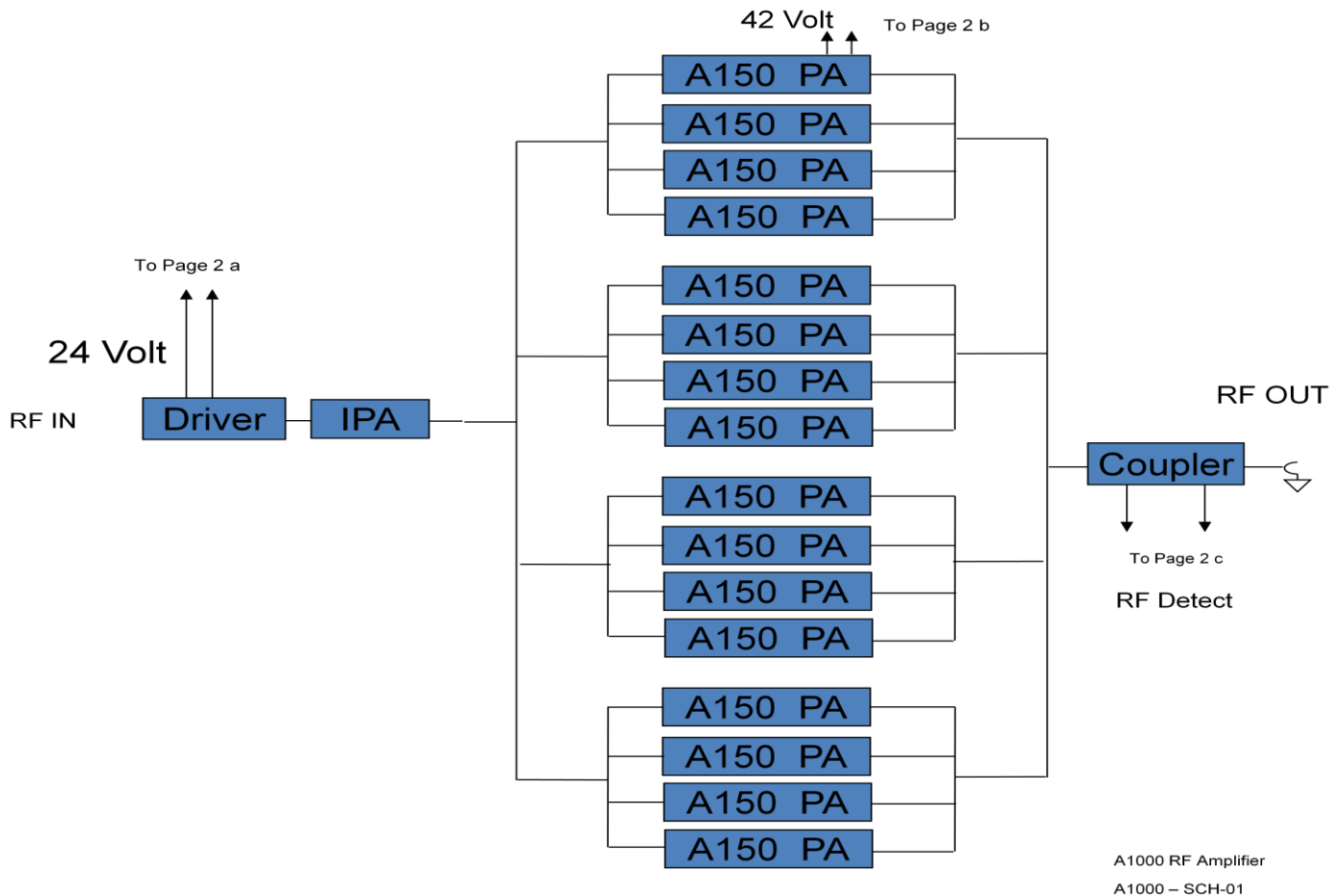
The driver output signal is fed through a length of coaxial cable to the input of the IPA, the output is fed to the power amplifier splitter. This splitter has four outputs. Each output is then fed to each of the four PA rf trays. Inside each rf tray the signal is split again four ways and fed to each of the four PAs in the tray. In each PA module the signal is split into two equal phase and amplitude signals. These signals are fed to the inputs of transistors Q1 and Q2. The amplified signals appearing at the drains of Q1 and Q2 are then fed to the output BNC port via the impedance matching network. The output of the four modules is then fed to a combiner to produce a single signal for each rf tray. The output of each rf tray is fed to the control/ combiner tray when the four signals are combined to produce a single output.

The power signal is then fed into a length of 50 ohm coaxial cable to the RF bi-directional coupler. The output of the coupler is then fed directly to the N connector on the rear panel, this is the unit output.

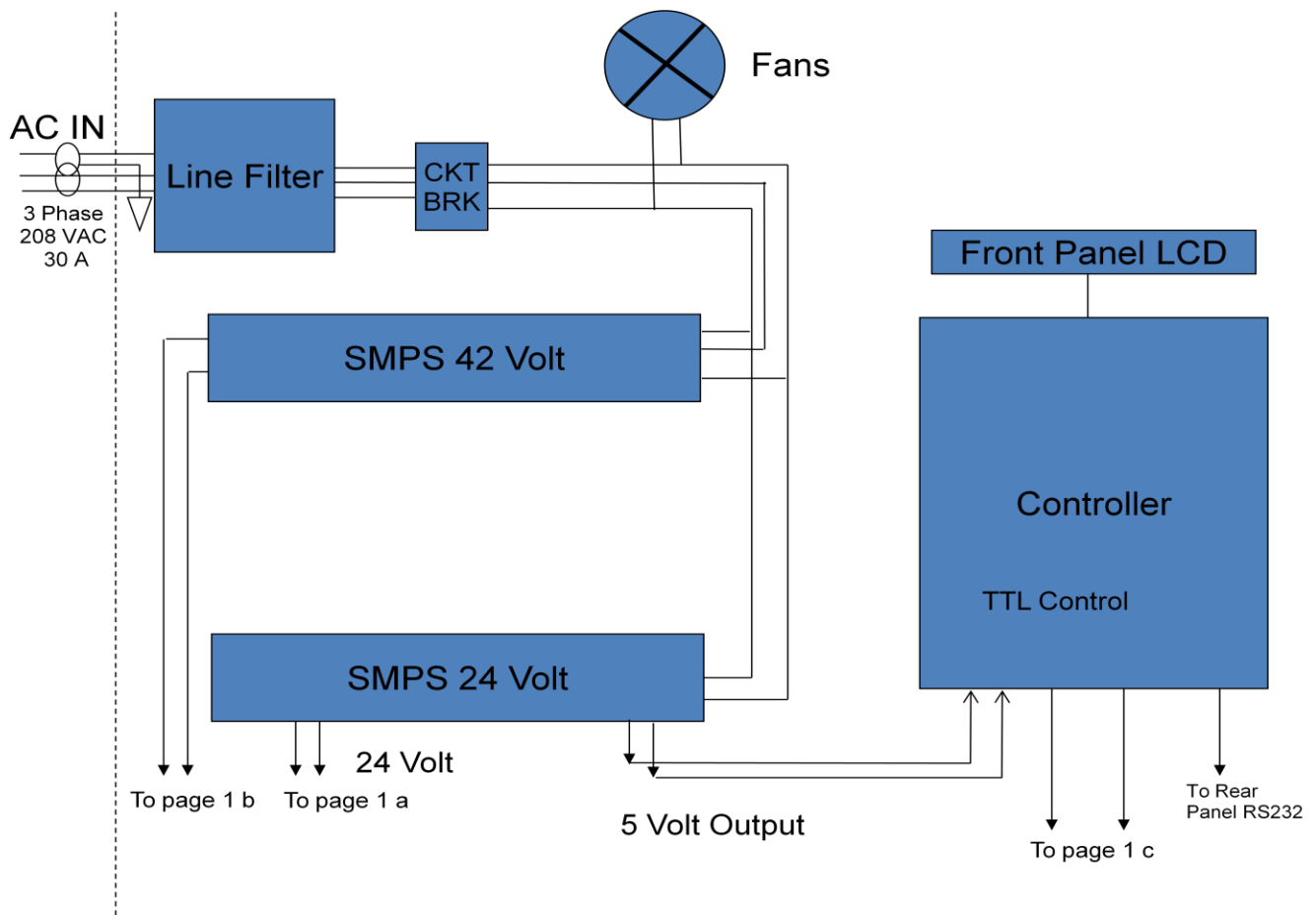
The forward and reverse coupled ports of the bi-directional coupler are fed to the RF detector which is situated on the main control board. The RF detector feeds a voltage, which is representative of the true RMS power to the control board proper. The control board in turn drives the front panel display.

The material contained in this document is the property of Electronics & Innovation Ltd., it is subject to change without notice.

There are three switch mode power supply modules that provide a 42 VDC 300 ampere source. Another provides 24 VDC outputs and provides 6.3 amps. The 24 Vdc power supply also has a 5 VDC output which feeds the control board.



The material contained in this document is the property of Electronics & Innovation Ltd., it is subject to change without notice.



Chapter 4 Maintenance

4.1 INTRODUCTION

The E&I A1000 RF amplifier requires no periodic maintenance. The instrument is unconditionally stable and is fail-safe under all load conditions. Damage can only be externally caused by the incorrect selection of the AC supply voltage or by an input signal in excess of the specified 1 volt rms equivalent to a power level of 13 dBm or a power level of 1 dBm for greater than one minute.

This chapter therefore, deals only with certain fundamental procedures for fault location.

The material contained in this document is the property of Electronics & Innovation Ltd., it is subject to change without notice.

Performance limits quoted are for guidance only and should not be taken for guaranteed performance specifications unless they are also quoted in the Specification Section 1.2.

4.2 PERFORMANCE CHECKS

To determine the amplifier's performance carry out the following procedure.

4.2.1 Initial Check

The following check can be made after repair and adjustments or whenever the condition of the unit is in question.

- a. Connect AC power supply. Switch on power and observe that the display initializes.
- b. Connect a sweep generator capable of sweeping the frequency range 300 KHz to 35 MHz, to the input connector.
- c. Adjust the output level of the sweep generator so that a 50 ohm video detector connected at the output of the unit will not be damaged by excessive power output. (Reference section 4.4.1 for set up.)
- d. Observe the gain versus frequency ripple on an oscilloscope calibrated in decibels. The gain variation must be not more than +/- 1.5 dB over the frequency range.
- e. Connect a calorimetric power meter through a 60 dB 1000 watt attenuator to the output connector. Adjust the input CW signal to any frequency between 300 kHz and 35 MHz for 1000 watts output.
- f. Observe the harmonic distortion of the output, properly attenuated, on a spectrum analyzer. The harmonic components contributed by the amplifier should be better than 22 dB down from the fundamental.

The material contained in this document is the property of Electronics & Innovation Ltd., it is subject to change without notice.

4.3.1 Measurement of Gain

1. Equipment Required (or equivalent):

- a) Oscilloscope - Tektronix T921
- b) Sweep/Generator - HP8601A
- c) Signal Generator - Exact Model 7060
- d) 50 ohm Detector - Wavetek D151
- e) Attenuator, 60 dB, 1000 Watts Bird

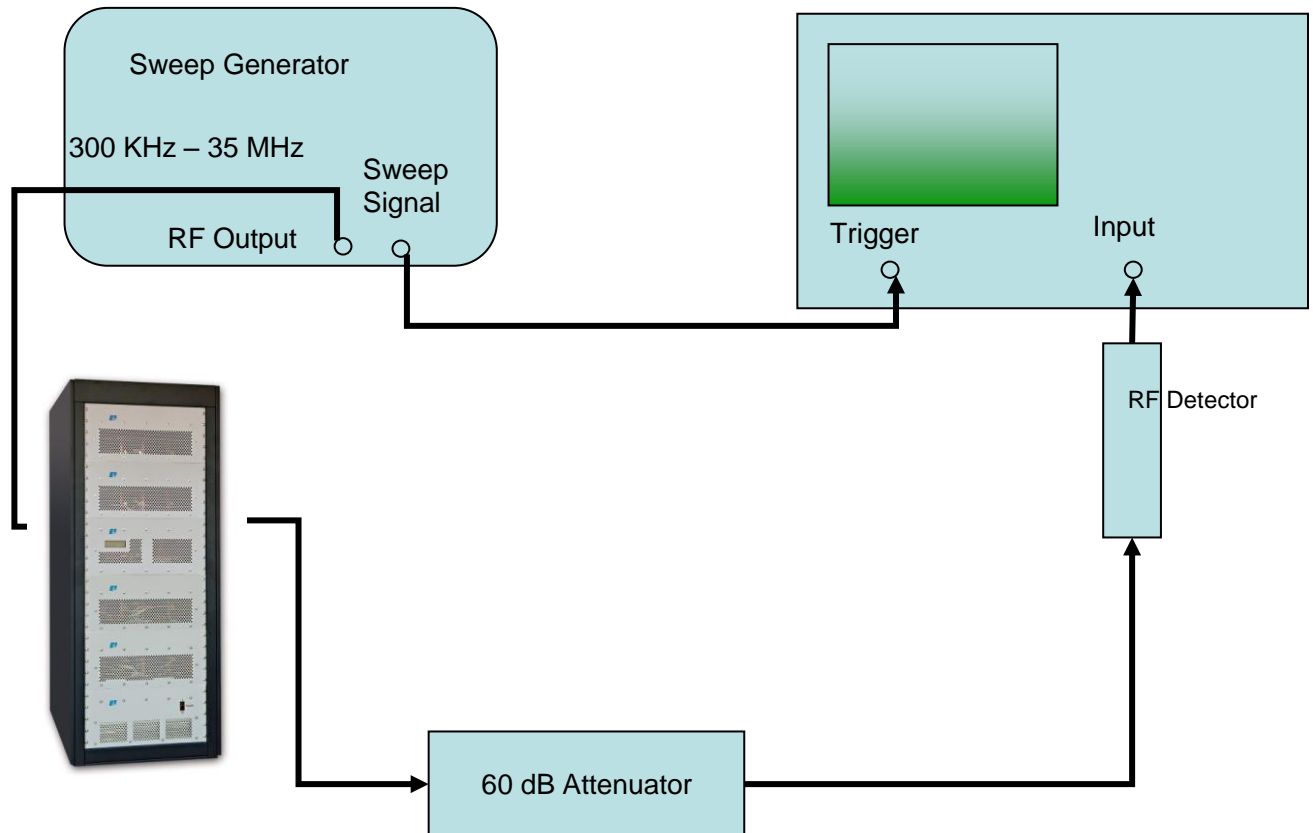


Figure 4-1. Gain Measurement

2. Connect the equipment as shown in Figure 4-1, then proceed as follows:

- a) Set the oscilloscope to DC, Time/cm to Ext. X, and gain to 10mv/cm.
- b) Set the sweep generator to the video sweep mode with the start frequency at 300 kHz and the sweep width to 35 MHz.
- c) Disconnect the A1000 from the set-up and connect the sweep/generator RF output directly to the 60 dB attenuator.

The material contained in this document is the property of Electronics & Innovation Ltd., it is subject to change without notice.

- d) Adjust the output level of the sweep/generator for full vertical deflection on the oscilloscope face.
- e) Calibrate the scope face to show 3 dB in 1 dB steps by attenuating the sweep/generator in 1 dB.
- f) Return sweep/generator output level to full deflection. Rotate the step attenuator (CCW) so that the output is reduced by 60 dB.
- g) Reconnect the A1000 into the test set-up of Figure 4-1.
- h) Place the A1000 power switch to the "ON" position.
- i) Observe the gain versus frequency sweep on the oscilloscope.
 - The average gain should be greater 60 dB
 - The gain variation should be within the 3 dB as shown on the oscilloscope.

4.4.2 Measurement of Harmonics

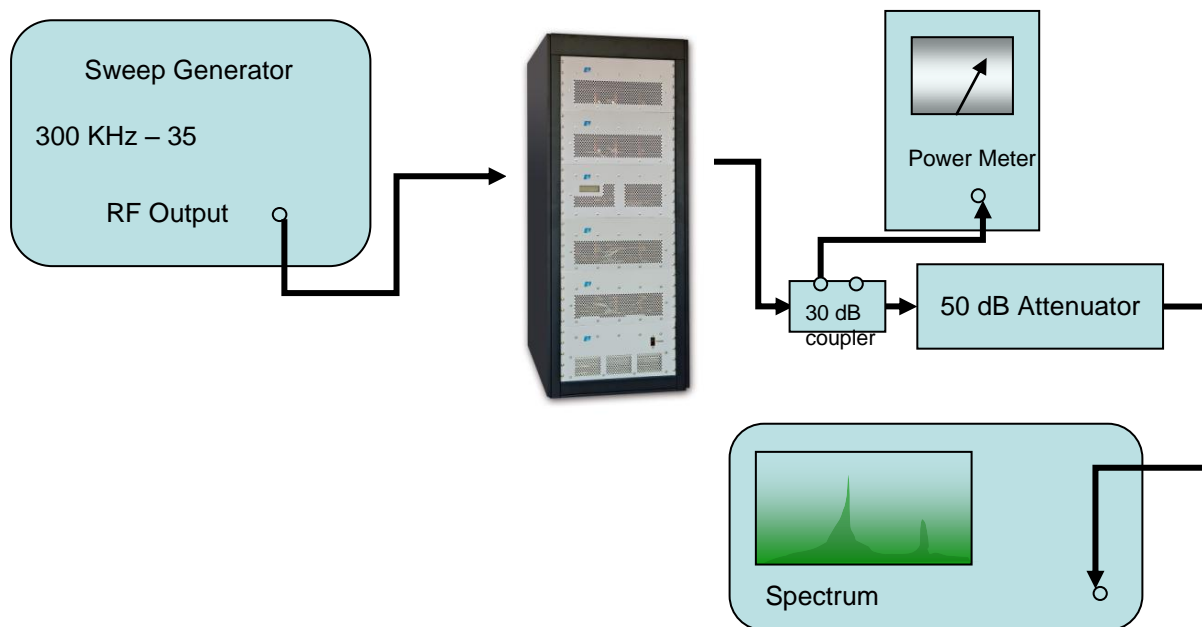


Figure 4-2.

1.) Equipment Required:

- a) Sweep/Signal Generator
- b) Calorimetric Power Meter HP435B

The material contained in this document is the property of Electronics & Innovation Ltd., it is subject to change without notice.

- c) Spectrum Analyzer.
 - d) Attenuator (60dB)
 - e) Coupler (60 dB)
- 2.) Connect the Equipment as shown in Figure 4-2, then proceed as follows:
- a) Adjust the signal generator to a CW center frequency of 300 kHz, for an indicated output of 1000 watts on the power meter.
 - b) Using the spectrum analyzer, check that the level of the carrier harmonics is less than -22 dB with respect to the carrier while manually scanning the frequency band of 300 KHz to 35 MHz. An indicated power output of 1000W should be maintained during this operation.

4.5 PACKAGING FOR RESHIPMENT

In the event of the equipment being returned for servicing it should be packed in the original shipping carton and packing material. If this is not available, wrap the instrument in heavy paper or plastic and place in a rigid outer box of wood, fiberboard or very strong corrugated cardboard. Use ample soft packing to prevent movement. Provide additional support for projecting parts to relieve these of unnecessary shock. Close the carton securely and seal with durable tape. Mark the shipping container FRAGILE to ensure careful handling.

Chapter 5 Safety:

Do not attempt to operate this unit with any of the covers removed. **High AC and DC voltages are present.** The cover protects against electrical shock due to AC line voltages, high DC and RF fields. Further the cover provides part of the cooling system design. Components, specifically on the RF driver board and PAs are prone to over-heat and eventual failure if the unit is operated without the cover in place.

Ensure that the load is connected to the output prior to connecting the RF input to the unit. This will prevent high voltages being present and exposed at the output connector.

Only use the AC cord provided or equivalent.

Ensure that the mains outlet is properly grounded and the rack is grounded using the ground stud provided on the rear left bottom corner.

The material contained in this document is the property of Electronics & Innovation Ltd., it is subject to change without notice.